

LINEAR AIR TRACK – booster kit

Cat: MF0136-101A

DESCRIPTION:

The booster kit is an additional kit of parts to extend the standard kit. It includes a heavy ‘Stop Block’ mounted on a felt lined piece of glider material that can be positioned part way along a track to divide the track into separate sections so that two students can perform experiments simultaneously. The heavy block is fixed to the felt lined glider with a special screw and nut.

All the other parts are extra quantities of standard parts as described in the standard kit.

NEW STYLE AIR TRACK BOOSTER KIT: KIT PARTS in MF0136-101A

Glider 200mm long	1x	either black or gold	PA0130-024 or 024A
Glider 100mm long	1x	either black or gold	PA0130-025 or 025A
Buffer, elastic, with moulding	4x	buffers for gliders, c/with screws	PA0130-032A
Buffer, non-elastic, with ‘velcro’	2x	hold together, c/with screws	PA0130-073A
Magnet for glider, 50g	2x	each weighs 50g	PA0130-031
Coil spring, 300mm long	1x	long s/s spring	PA0130-038A
Coil spring, 50mm long	4x	short s/s springs	PA0130-038B
Felt lined glider to divide track	1x	short glider with felt	PA0130-048
Heavy stop block to attach to glider	1x	heavy metal block	PA0130-049
Screw attachment	1x	special knurled screw	PA0130-050A
Square aluminium nut	1x	square aluminium nut	PA0130-028

MF0136-101A



Physical size:

Weight: kg

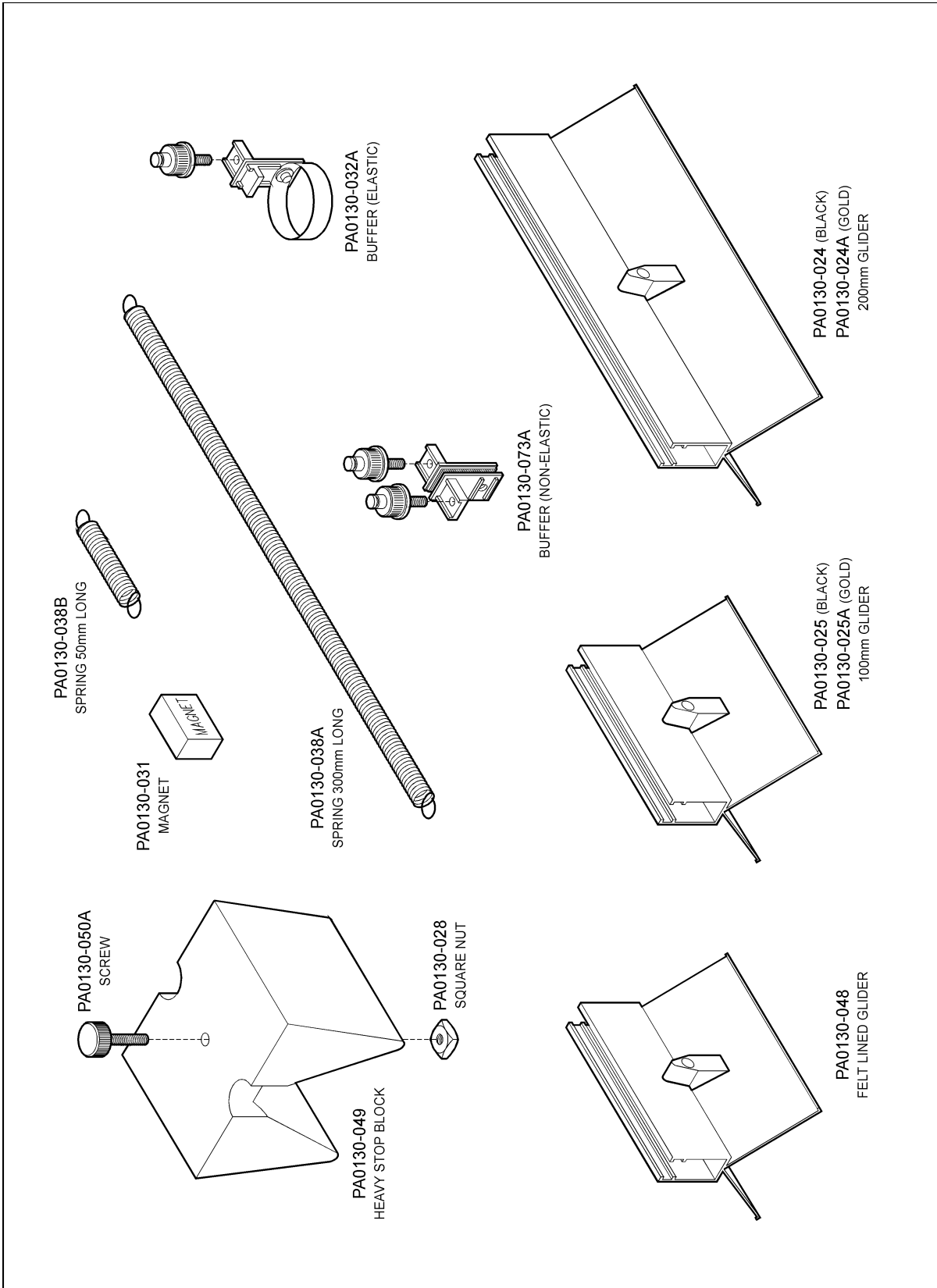
Designed and manufactured in Australia by Industrial Equipment and Control Pty Ltd

Distributed by

Scientrific Pty Ltd

ABN 55 056 072 694

PO Box 420 Yamba NSW 2464
Phone (02) 6645 8111 Fax (02)66458125



Designed and manufactured in Australia by Industrial Equipment and Control Pty Ltd

Distributed by

Scientrific Pty Ltd

ABN 55 056 072 694

PO Box 420 Yamba NSW 2464

Phone (02) 6645 8111 Fax (02)66458125